

Südmetall®



SECURITY SYSTEMS
ELECTRONIC CYLINDER

KNOBCYLINDER
HALFCYLINDER
PANICFUNCTION
INNOVATIONS

MODULAR STRUCTURE



ELECTRONIC CYLINDER

Comfort and security in locking systems are getting more and more important during these days. The electronic knob cylinder from Südmetall can be built in smaller as well as in medium objects. The knob cylinder is a universally applicable locking unit.

These offer almost unlimited combination possibilities and the variable lengths of the cylinders allow installation in all doors. The compatibility of the cylinder with standard mortise locks allows easy and cost-effective retrofitting.

MODULAR STRUCTURE

Maximum flexibility can be achieved through a modular design.

An electronic cylinder consists of the following components (to be ordered separately):

electronic knob



**profile cylinder, half cylinder
or round cylinder**



**inner knob or
electronic knob**





ELECTRONIC CYLINDER

A simple retrofitting to existing doors is possible. Use in escape and rescue routes and fire doors. Flexible control.

KNOB

- electronic knob, 40 mm and 45 mm
- battery powered (two batteries CR2 lithium 3V)
- brass housing nickel-plated and hard plastic cover
- easy assembly due to engaging the knob module in the cylinder

INNER KNOB

- inner knob mechanical 29 mm and 34 mm



CYLINDER

- different lengths available
- cylinder, nickel-plated brass

Sealed, water-protected knob in the housing (IP 66 depending on version).

According to DIN 18252 and DIN EN 1303 as far as applicable for electronic systems.

OVERVIEW STANDARD CYLINDER



STANDARD CYLINDER, CX2120

Universally applicable electronic cylinder for the most diverse assembly situations.



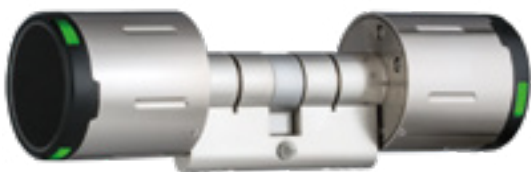
ELECTRONIC CYLINDER

The knob cylinder is an electronic locking cylinder with a one-sided authorization and is available in different cylinder lengths. You can choose between the variants for indoor and outdoor use (protection class IP66) can be selected. The cylinder is available as a stand alone or software solution.



ELECTRONIC HALF CYLINDER

With the electronic half cylinder, doors can be equipped from one side. You can choose between the indoor and outdoor versions (protection class IP66). The cylinder is available as a stand-alone or software solution.



ELECTRONIC DOUBLE KNOB CYLINDER

The double knob cylinder is an electronic locking cylinder with a bilateral, separate electronic authorization. The cylinder controls access from both sides of the door. Authorisations are logged on both sides of the door. You can choose between the indoor and outdoor version (protection class IP66). The cylinder is available as a stand alone or software solution.



COMPACT CYLINDER, CX2160

Narrow knob - to use in tubular frame doors, for example.



COMPACT ELECTRONIC CYLINDER

The knob cylinder is an electronic locking cylinder, which is an optimal solution for mortise locks due to its small diameter. The complete mechanics and electronics are protected inside the cylinder. In addition, the standard version includes a mechanical drill protection, which is integrated. You can choose between the indoor and outdoor version (protection class IP66). The cylinder is available as a stand alone or software solution.



COMPACT ELECTRONIC HALF CYLINDER

The half cylinder is an electronic locking cylinder, which is an optimal solution for mortise locks due to its small diameter. The complete mechanics and electronics are protected inside the cylinder. In addition, the standard version includes a mechanical drill protection, which is integrated. You can choose between the indoor and outdoor version (protection class IP66). The cylinder is available as a stand alone or software solution.



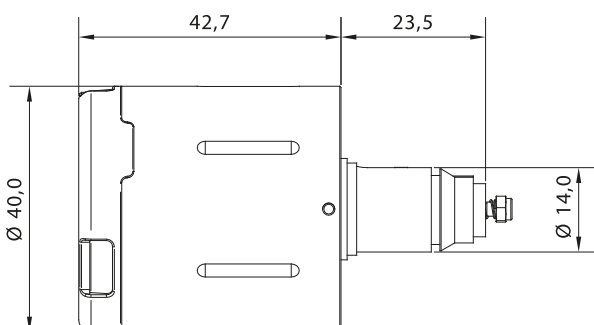
ELECTRONIC KNOB MODULE STANDARD, CX2120

The battery-operated module can be used instead of a conventional professional cylinder with electronic rotating knob on one side and with a mechanically fixed knob on the other side. The simple installation makes the knob module ideal for new buildings. Existing buildings can also be easily retrofitted with this module.



Product features:

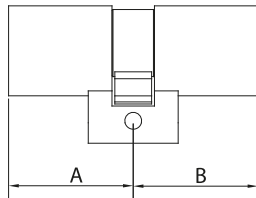
- › suitable for standard profile cylinder CX6710
- › different profile cylinder lengths available
- › nickel-plated brass cylinder and knob housing and cover (antenna area hard plastic cover)
- › enables independent assembly as double knob cylinder with authorization on one or both sides and as half cylinder
- › suitable for indoor and outdoor use (IP66) (+5°C to +55°C inside, -25°C to +65°C outside)
- › coupling time 1-15 seconds programmable
- › communication electronics, mechatronics and batteries are located in the knob module
- › continuous engagement possible without additional power consumption
- › EMA-connection possible (not possible with BLE version)
- › either as radio version (868 MHz) or BLE version (2.4 GHz) available
- › two CR2, lithium 3V batteries required for the knob module
- › up to 80.000 operations (weak battery condition is signalled acoustically when activated)
- › authorisation for max. 1.000 transponders
- › with software Keyng 128 events can be stored
- › time switching or weekly schedules possible
- › no cabling - opening the door via Mifare transponder or cards (see page 11)
- › can be combined with other systems





PROFILE CYLINDER STANDARD, CX6710

The cylinder housing is a mechanical double cylinder to accommodate the electronic or mechanical knobs. Different products can be made up by simply plugging and unplugging the knobs. So it is possible to react to changes in the door thickness in the same way as to a subsequent conversion.



Product features:

- › can be used with CX2120 (electronic knob module standard) and CX6712 (mechanical internal knob)
- › suitable for installation in PZ locks
- › variants available from 26/26 mm or 30/30 mm to 200/200 mm (available in 5 mm steps)
- › easy attachment of the electronic or mechanical knobs
- › slight change in length by replacing the cylinder
- › optionally available as anti-panic function
- › suitable for indoor and outdoor use (IP66)

INSIDE KNOB STANDARD / COMPACT, CX6712

This knob is a mechanical rotary knob for use in combination with the CX6710 cylinder housing or CX6760. With the mechanical rotary knob it is possible to open and close the cylinder from the inside of the door at any time.



Product features:

- › available in two versions: Ø 34 mm or Ø 29 mm
- › can be used with cylinder housing CX6710 and CX6760
- › simple attachment of the mechanical knobs to the cylinder housing



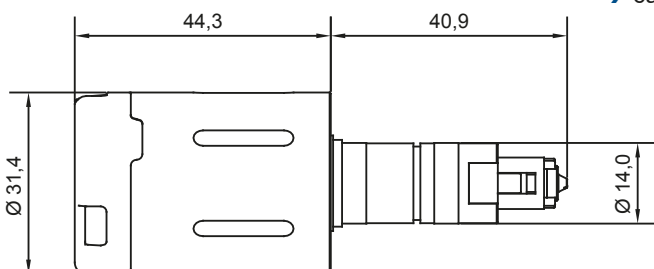
ELECTRONIC KNOB MODULE COMPACT, CX2160

The battery operated module can be used as a profile cylinder with electronic rotary knob on one side and with a fixed knob on the other side. The module is specially designed for tubular frame doors as it has a smaller electronic knob, which leaves enough clearance to open the door even with a small backset.



Product features:

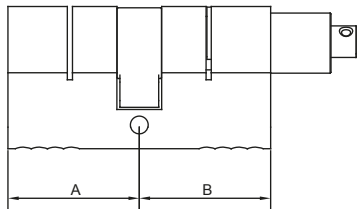
- › for tubular frame doors
- › suitable for profile cylinder compact CX6760
- › different profile cylinder lengths available
- › cylinder, knob housing and cover made of nickel-plated brass (antenna area hard plastic cover)
- › enables independent assembly as double knob cylinder with authorization on one or both sides and as half cylinder
- › suitable for indoor and outdoor use (IP66) (+5°C to +55°C inside, -25°C to +65°C outside)
- › coupling time 1-15 seconds programmable
- › communication electronics, mechatronics and batteries are located in the knob module
- › continuous engagement possible without additional power consumption
- › EMA-connection possible (not possible with BLE version)
- › optionally available as radio version (868 MHz) or BLE version (2.4 GHz)
- › one CR2 lithium 3V battery required for the knob module
- › up to 60.000 operations (weak battery condition is signalled acoustically when activated)
- › authorisation for max. 1.000 transponders
- › with software Keyng 128 events storable
- › no cabling - opening the door via Mifare transponder or cards (see page 11)
- › can be combined with other systems





PROFILE CYLINDER COMPACT, CX6760

The cylinder housing is a mechanical double cylinder to accommodate the electronic or mechanical knobs. Different products can be made up by simply plugging and unplugging the knobs. So it is possible to react to changes in the door thickness in the same way as to a subsequent conversion.



Product features:

- › for tubular frame doors
- › can be used with CX2160 (electronic knob module compact) and CX6712 (mechanical internal knob)
- › suitable for installation in PZ locks
- › variants available from 26/26 mm or 30/30 mm to 200/200 mm (available in 5 mm steps)
- › easy attachment of the electronic and mechanical knobs
- › slight change in length by replacing the cylinder
- › optionally available as anti-panic function
- › suitable for indoor and outdoor use (IP66)

INSIDE KNOB STANDARD / COMPACT, CX6712

This knob is a mechanical rotary knob for use in combination with the CX6710 cylinder housing or CX676. With the mechanical rotary knob it is possible to open and close the cylinder from the inside of the door at any time.



Product features:

- › available in two versions: Ø 34 mm or Ø 29 mm
- › can be used with cylinder housing CX6710 and CX6760
- › simple attachment of the mechanical knobs to the cylinder housing

Service Key Card

SERVICE KEY CARD

With this card you identify yourself as administrator of the locking system. If you hold the card in front of the electronic knob module of the system, the respective component will go into the programming mode, in which it is possible, to authorize key settings or the event log to be read out.

Product features:

- › programming key
- › the card can be used for several cylinders (depending on the requirements of the object)
- › dimensions: 85,5 x 54 mm

Battery Change

BATTERY CHANGE CARD

If you hold a battery replacement card in front of a knob module, it drives the module into the battery change position, where it is possible to remove the knob cover to replace the batteries.

Product features:

- › Optionally, a dedicated card with the imprint „battery change“ or a transponder can be used
- › The card can be used for several cylinders (required for each object)
- › dimensions: 85,5 x 54 mm

Disassembly Card

DISASSEMBLY CARD

If a disassembly card is held in front of a knob module, the module moves into the dismounting position, in which it is possible to disassemble the knob module.

Product features:

- › optionally, a dedicated card with the imprint „disassembly card“ or a transponder can be used
- › The card can be used for several cylinders (required for each object)
- › dimensions: 85,5 x 54 mm

IMPORTANT:

Each cylinder (stand alone or software solution) requires a service key for commissioning, battery replacement and disassembly card!



TRANSPONDER CARD

The transponder card serves as a form of identification. Individual data is stored on the card so that the knob module detects whether the person has an access authorization or not.

Product features:

- › contactless technology
- › 13,56 MHz transponder
- › Mifare DESfire
- › dimensions: 85,5 x 54 mm



TRANSPONDER TAGS

The tag can be read on all knob modules. A cross-application use and a combination with the transponder is also possible, for example with time recording systems.

Product features:

- › contactless technology
- › 13,56 MHz transponder
- › Mifare DESfire
- › dimensions: 46 x 35,1 x 5,1 mm



BATTERY CHANGING TOOL

Special „replacement tools“ are required for battery replacement. These must be ordered separately to match the electronic cylinders.



With the compact knob module (CX2160), the cover is released for removal by applying a magnet.

With the help of the battery clip, the locking pins on the knob module (CX2120) can be pressed in and then the cover removed, provided the unlocking pins have been released beforehand by electronic authorisation.



1. SOLUTION: KEYNG SOFTWARE

With this software solution it is possible to manage the electronic locking systems conveniently from a PC. The communication between the locking units and the management software (PC, Windows, Tablet, etc.) is via a USB radio stick (868 MHz).



KEYNG SOFTWARE

The electric cylinder can be conveniently managed via the Keyng software. The cards or transponders are read in at the locking cylinder and transferred to the Keyng management software via a USB radio stick. Here, for example, accesses can be timed for the individual locking units or read out the storage via the USB radio stick.

REQUIRED MODULES FOR THIS SOLUTION:

- › electronic knob module
- › profile cylinder
- › innen knob
- › user card (per user)
- › Keyng software
- › battery replacement tool

Product features:

- › simple structuring of users into groups
- › access authorisations can be defined in terms of time
- › 15 programmable weekly schedules
- › maximum 1.000 authorizations per locking unit
- › flexible retrofitting and expandability
- › overview of all keys and locking units
- › possibility to lock the key
- › content of delivery:
 - download card
 - USB radio stick
 - service key card
 - battery replacement card
 - disassembly card



2. SOLUTION: KLEVERKEY

ÜLock BLE enables door opening via mobile devices (smartphone, tablet or PC) and is ideally suited for offices, medical practices, hotels, holiday apartments and much more.



KLEVERKEY APP

With KleverKey digital authorizations can be managed easily and conveniently. This is done either directly with the KleverKey app or via the KleverKey portal (my.kleverkey.com).

KleverKey is a manufacturer-independent access and authorization management system from Switzerland.

Product features:

- › control of the lock via BLE via KleverKey app
- › access authorization optional one-time / for 24h / according to individual time profile (cloud query before release)
- › permanent access authorization (possible without querying the cloud)
- › administration via cloud (data protection):
 - authorization of users
 - administration of time profiles
 - access to event logs
 - warning information „battery low“
- › navigation function
- › high security standards (eBanking standard)

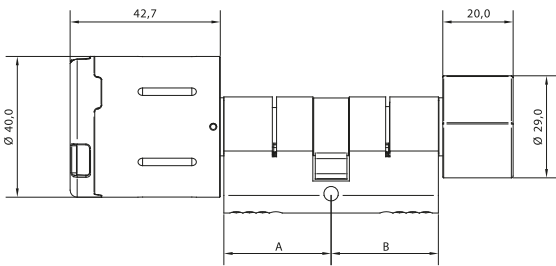
REQUIRED MODULES FOR THIS SOLUTION:

- › electronic knob module
- › profile cylinder
- › innen knob
- › service key
- › battery change card + battery change tool
- › disassembly card
- › KleverKey app



ORDERING ASSISTANCE

Example for the dimensions of the electric cylinder CX2120



- A** = e. g. closing side in 35 mm
- B** = e. g. knob side in 35 mm
= cylinder dimension e. g. in **35/35** mm



Notice:

- A** = always outside
- B** = always inside

Outside = dimension from centre of forend screw to outer edge of rosette or fitting on the outside of the door

Inside = dimension from centre of forend screw to outer edge of rosette or fitting on the inside of the door

Minimum profile cylinder dimensions 26/26 mm or 30/30 mm, extendable in 5 mm steps per side up to a maximum length of 200 mm per side.

rosette fittings

Südm Metall offers many lever handle sets. You can find our full range in the catalogue „Fascination fittings“ (art. no. 36.06.0010 on 727 pages).

OUTSIDE

INSIDE

door leaf outside

door leaf inside

fixing screw

cylinder forend screw

fixing screw

knob side

external oversize with rosette or fitting

lock side

internal oversize with rosette or fitting

door thickness

Customer data:	
<hr/>	
Company name	
<hr/>	
Street	
<hr/>	
Postal code / town / district	
<hr/>	
Phone	Fax
<hr/>	<hr/>
UID-number	
<hr/>	
Deviating delivery address	
<hr/>	
Name	
<hr/>	
Addition	
<hr/>	
Street	
<hr/>	
Postal code / town / district	

Remarks (e.g. commission, sign, agreements, deadline, ...)
<div style="display: flex; justify-content: space-between;"> Date Signature </div>

Electronic knob		Profile cylinder		Internal knob		Administration			Reading standard		IP protection	
Standard	Compact	Dimension A	Dimension B	Ø 34 mm	Ø 29 mm	Stand Alone	Software	KleverKey	Mifare	Bluetooth	IP65	IP66

ACCESSORIES:

- ___piece/s: service key card
- ___piece/s: battery change card
- ___piece/s: disassembly card
- ___piece/s: battery replacement tool for CX2120
- ___piece/s: battery replacement tool for CX2160
- ___piece/s: transponder tag
- ___piece/s: transponder card

Thanks for your order, which we are happy to complete according to our general terms of sale, delivery and payment (see homepage).
All offers are subject to colour deviations and printing errors caused by printing technology.



Sales & logistics: Süd-Metall Beschläge GmbH

Sägwerkstrasse 5 | 83404 Ainring / Hammerau, Germany | T +49 (0) 8654 4675-50 | F +49 (0) 8654 3672
Email: info@suedmetall.com | www.suedmetall.com

Development & production: Süd-Metall Schließsysteme Leipzig GmbH

Apelsteinallee 1 | 04416 Markkleeberg, Germany | www.suedmetall-schliesssysteme.com

All specifications are subject to colour deviations and printing errors arising from technical/print reasons.

The general conditions of delivery and payment on our website apply.

The general terms and conditions of trade of Süd-Metall Beschläge GmbH apply. Please take note of the guarantee declarations on our website.

We at SÜD-METALL BESCHLÄGE GMBH, Sägwerkstraße 5, D - 83404 Ainring/Hammerau, are responsible as defined by the Data Protection Act. If you are not yet our customer or have voluntarily provided us with your data for the purpose of establishing contact or if your data comes from our own research on freely accessible resources such as industry books, network platforms, commercial registers and the like, your data is processed for the purpose of marketing without consent in accordance with Art. 6 par. 1 sentence 1 lit. f) of the GDPR for information that is relevant to your interests. In any case, you may object to our processing for marketing purposes at any time in the future. Further information on your other rights, such as for information, correction, deletion, your right to complain or how to access the Data Protection Officer, please refer to our Privacy Policy, which is accessible at <https://www.suedmetall.com/4/datenschutz/> or our information sheet that you can call up at https://www.suedmetall.com/fileadmin/user_upload/downloads/Information_Datenschutz_D-EN.pdf.