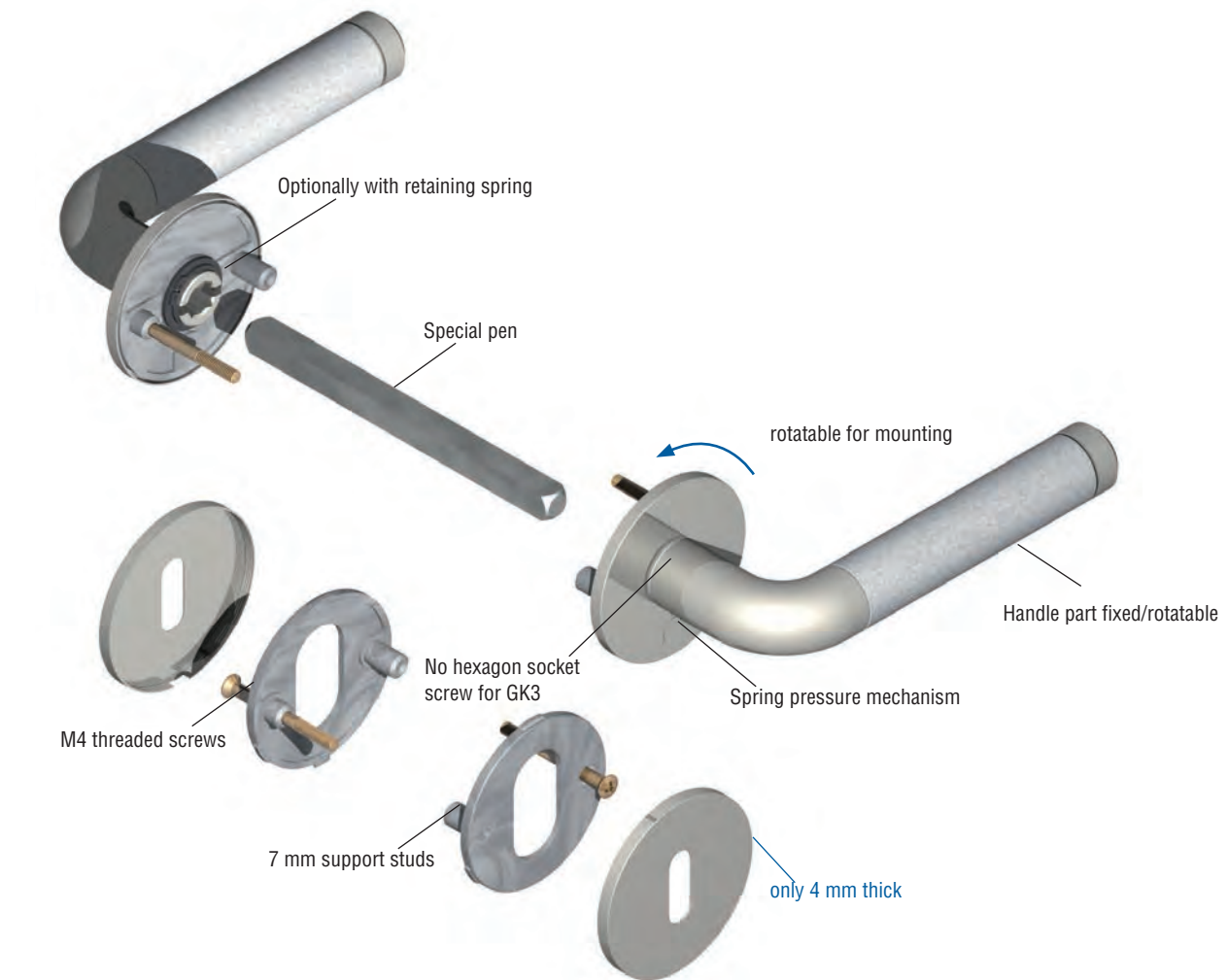




VARIO STAR® FLAT:

- Flush mounting possible
- Noble design = 4 mm flat rosettes
- Fixed/rotatable bearing = no wobbling
- Optional: holding spring = permanent horizontal pusher position
- Metal substructure = Top reliability
- No hexagon socket screw for GK3 = perfect optics
- Rosettes Ø 55 mm - covers every 50 mm + 52 mm rosettes, therefore suitable as renovation set



Handle power pack fixed/rotatable



Stable metal substructure