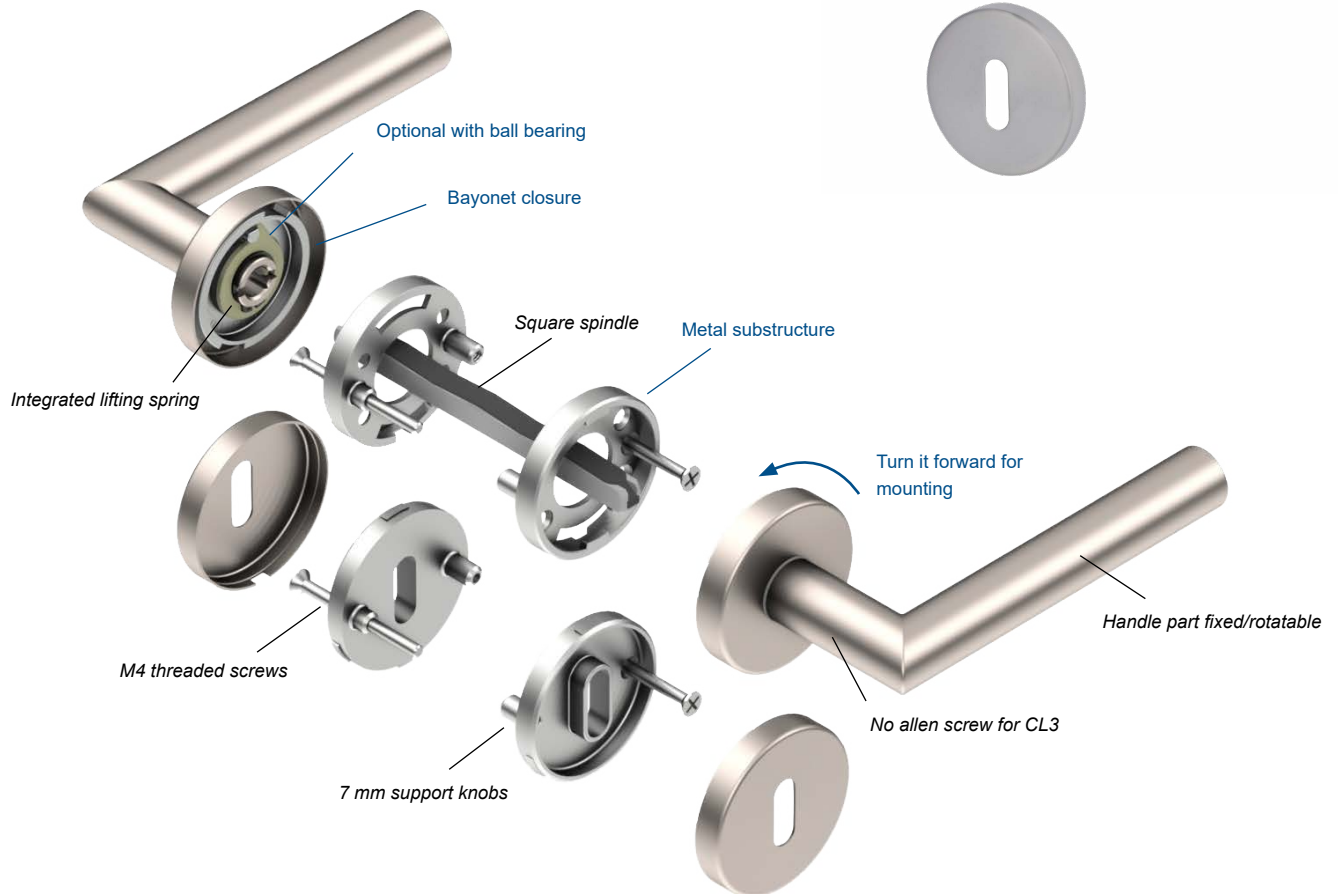


# VARIO STAR® TOP SPEED

- Innovative concept for improved user-friendliness
- Innovative **ball bearing optionally available (CL4)**
- **Quick assembly** »Top Speed« by bayonet closure
- **Metal substructure** = top reliability
- With **lifting spring** = perfect position
- **Fixed/rotatable bearing** = no wobbling
- **No allen screw for CL3** = perfect optics
- **Rosettes Ø 55 mm** - covers every 50 mm + 52 mm rosettes, therefore suitable as renovation set



Handle set power firmly/rotating

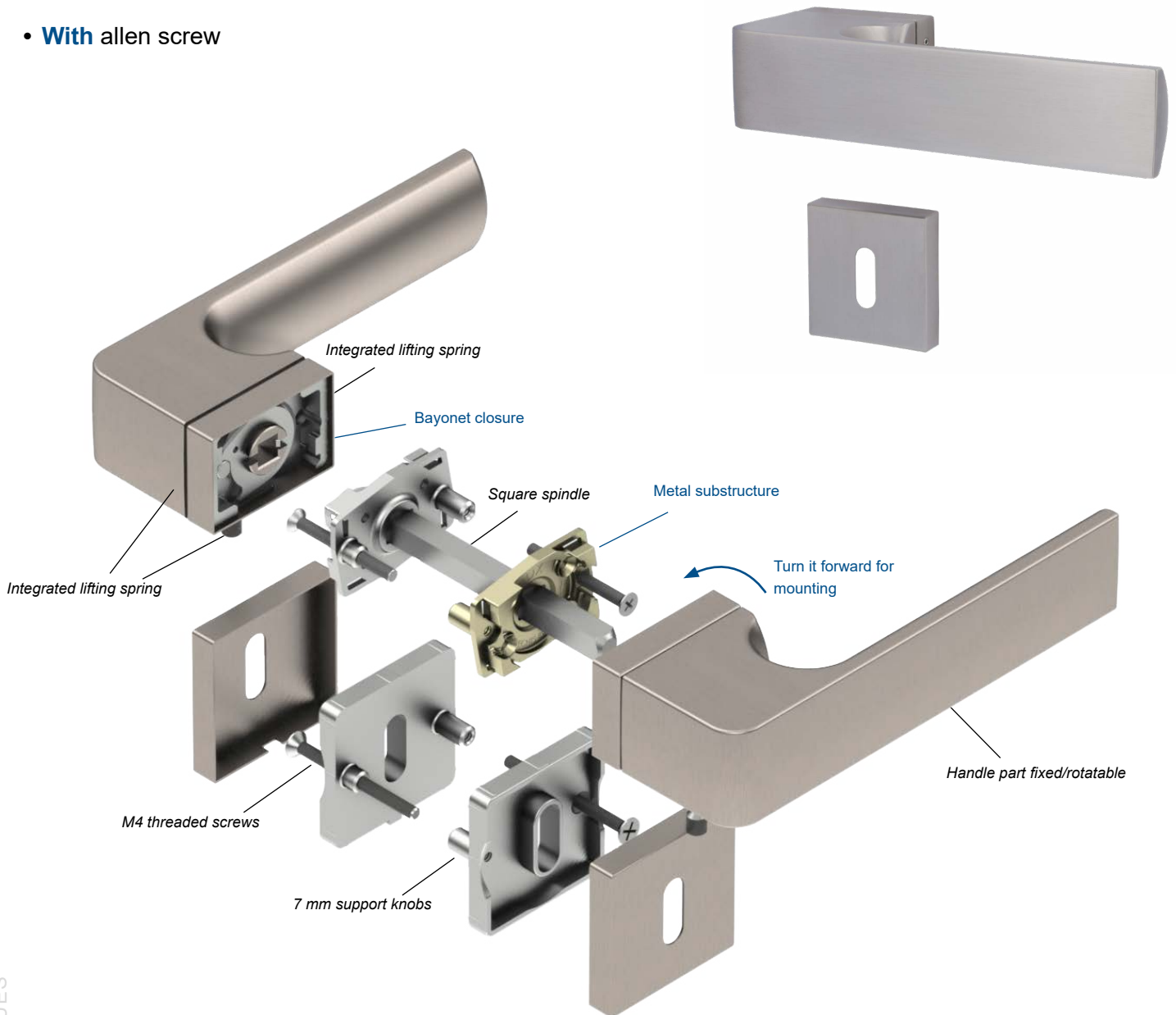


Stable metal substructure



# VARIO STAR® TOP SPEED QUAD

- Innovative concept for improved user-friendliness
- **Quick assembly** »Top Speed« by bayonet closure
- **Metal substructure** = top reliability
- With **lifting spring** = perfect position
- **Fixed/rotatable bearing** = no wobbling
- **With allen screw**



Handle set power firmly/rotating

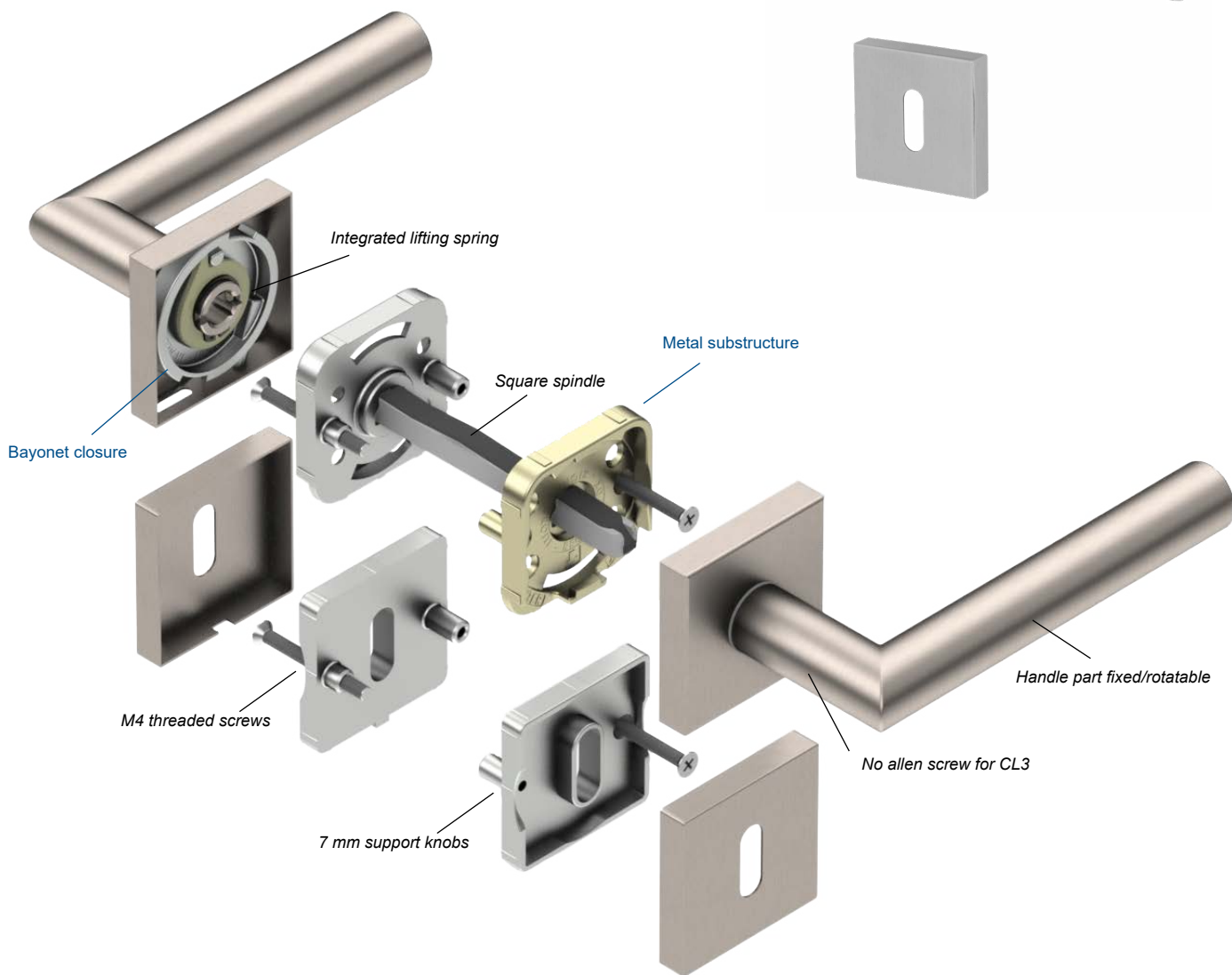
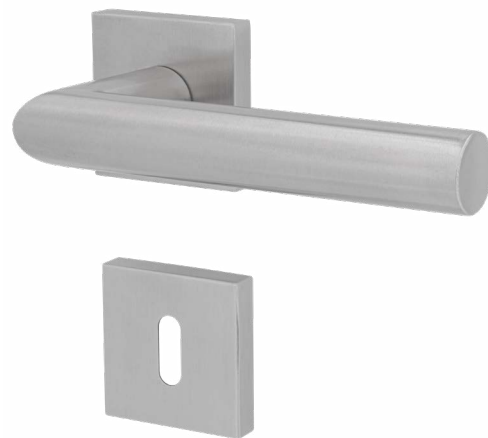


Stable metal substructure



# VARIO STAR® TOP SPEED QUADRO

- Innovative concept for improved user-friendliness
- **Quick assembly** »Top Speed« by bayonet closure
- **Metal substructure** = top reliability
- With **lifting spring** = perfect position
- **Fixed/rotatable bearing** = no wobbling
- **No allen screw** for CL3 = perfect optics
- **Rosettes** □ 52x52 mm



Handle set power firmly/rotating



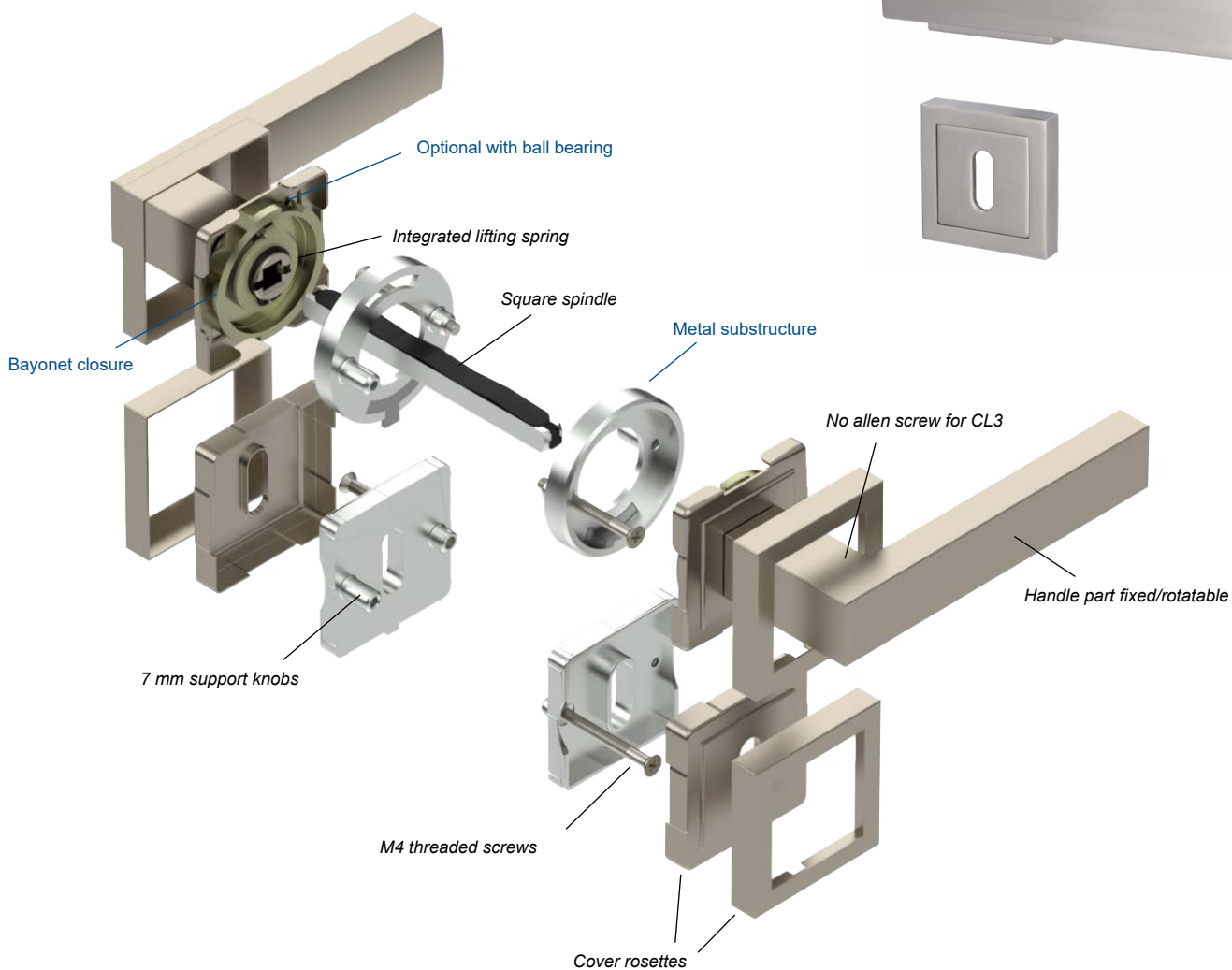
Stable metal substructure



TOP SPEED FITTING TECHNIQUES

# VARIO STAR® TOP SPEED SQUARE

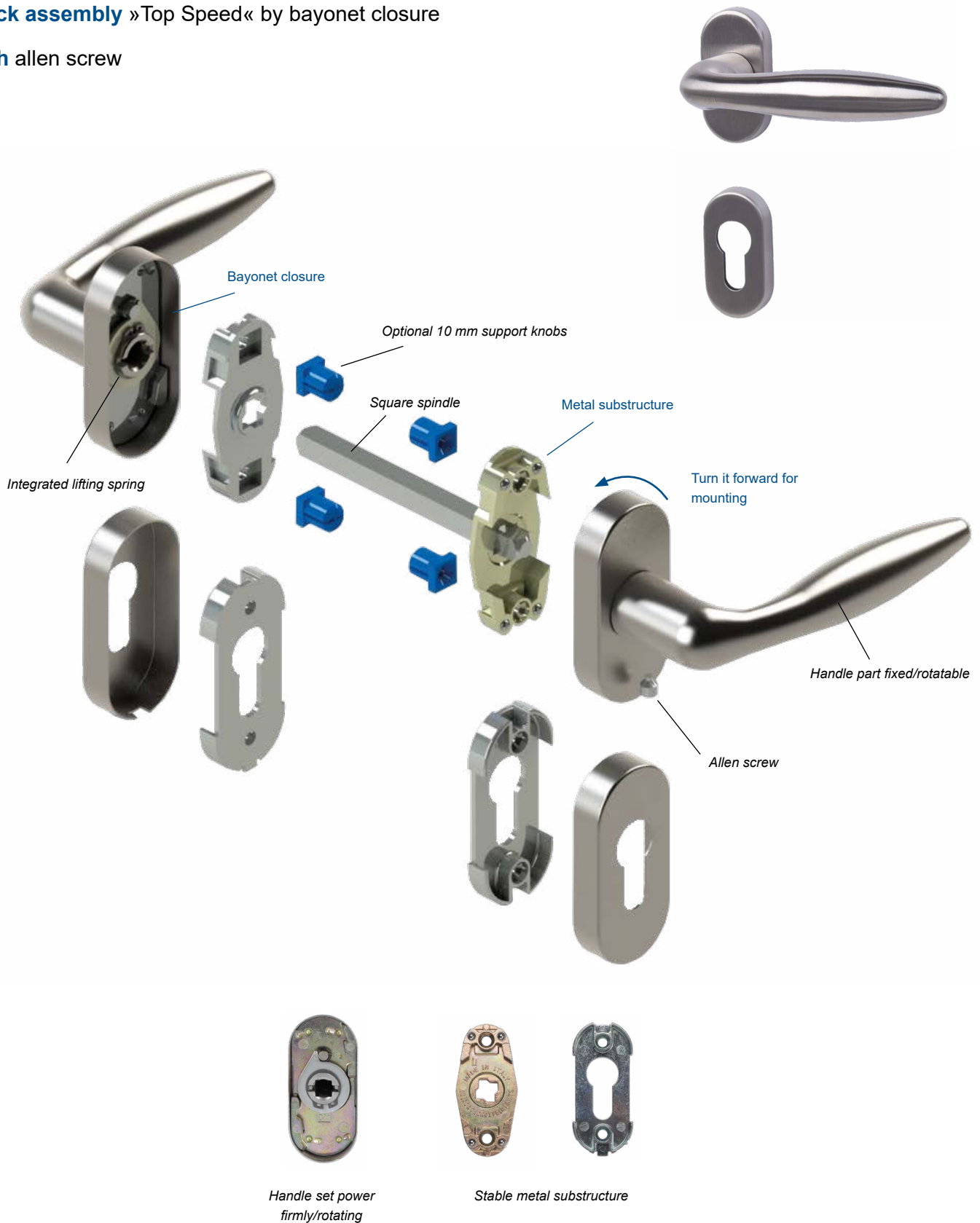
- Innovative concept for improved user-friendliness
- Innovative **ball bearing optionally available (CL4)**
- **Quick assembly** »Top Speed« by bayonet closure
- **Metal substructure** = top reliability
- With **lifting spring** = perfect position
- **Fixed/rotatable bearing** = no wobbling
- **No allen screw** for CL3 = perfect optics





# VARIO STAR® TOP SPEED OVAL

- Innovative concept for improved user-friendliness
- **Metal substructure** = top reliability
- With **lifting spring** = perfect position
- **Fixed/rotatable bearing** = no wobbling
- **Quick assembly** »Top Speed« by bayonet closure
- **With allen screw**

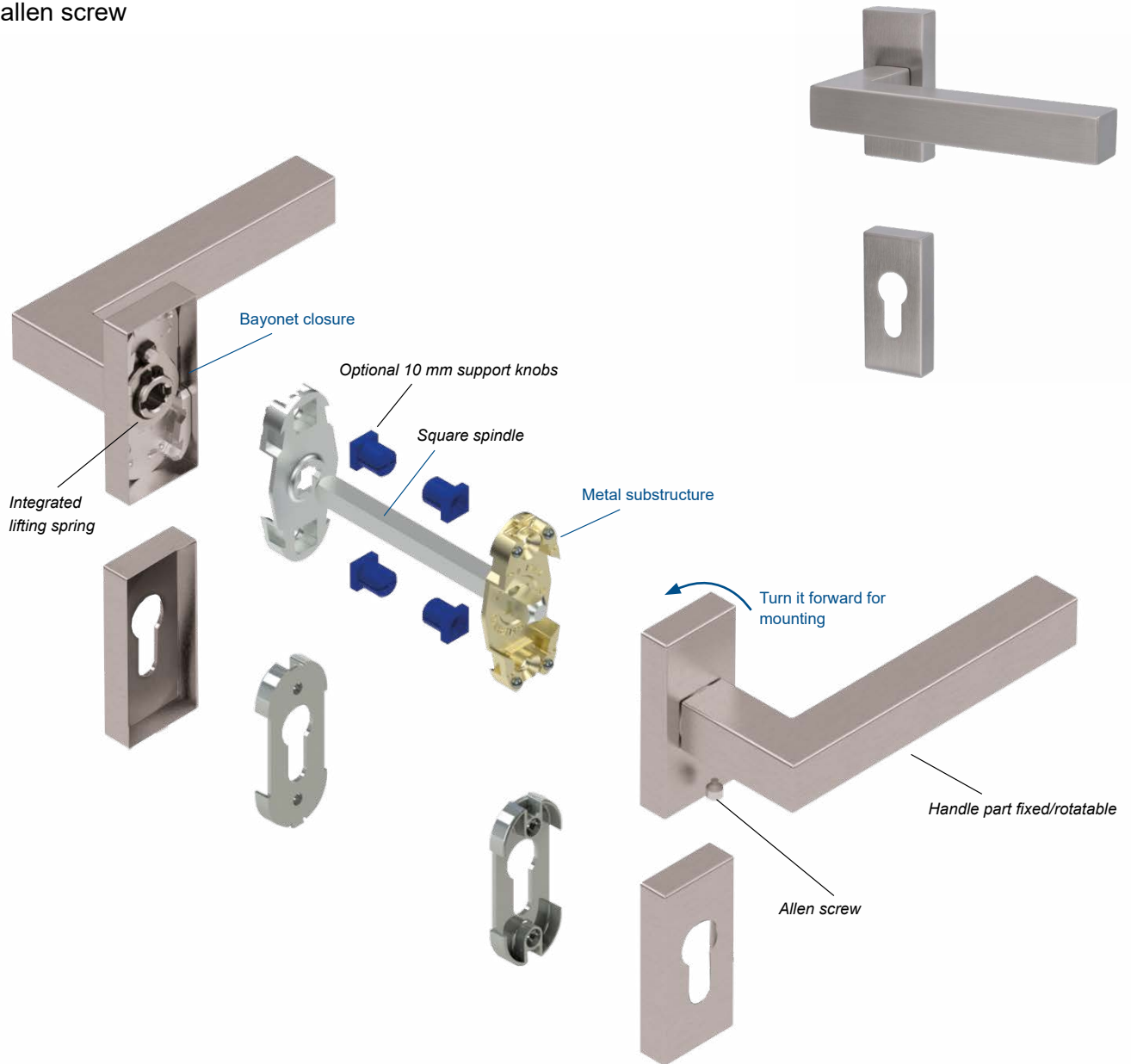


TOP SPEED FITTING TECHNIQUES

# VARIO STAR® TOP SPEED LINEAR



- Innovative concept for improved user-friendliness
- **Metal substructure** = top reliability
- With **lifting spring** = perfect position
- **Fixed/rotatable bearing** = no wobbling
- **Quick assembly** »Top Speed« by bayonet closure
- **With allen screw**



Handle set power firmly/rotating



Stable metal substructure

